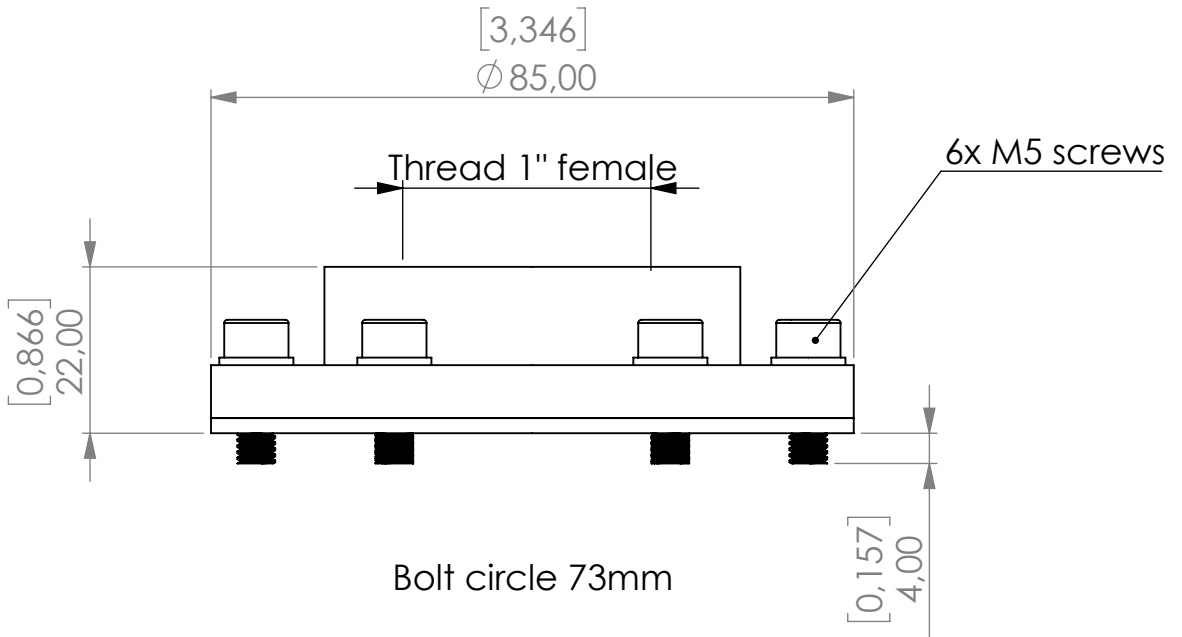
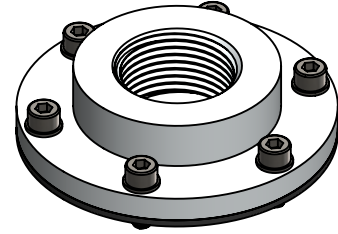


# Flange adapter



Product Code	<b>FLA</b>	-	<b>LK73</b>	-	<b>AL</b>	-	<b>F</b>	-	<b>1f</b>
	Flange adapter		Bolt circle 73mm connection for system		Material Aluminium		FKM seals		Connection for Adsorber Thread 1" female

Total weight (kg/lb): 0.180 / 0.4

NAME:

**Flange adapter**

**FLA-LK73\_AL\_F\_1f**

Article no.:

**08.2122.00**

Status approved

Format A4

Ratio 1:2

Sheet / of 1 / 1

	Date	Name
rev.	09.09.2025	Daniel Zinic
<b>GIEBEL</b> <a href="http://www.giebel-adsorber.com">www.giebel-adsorber.com</a> <a href="mailto:info@gf-dry.com">info@gf-dry.com</a>		



**GIEBEL Adsorber®**  
...setting standards in aeration drying!