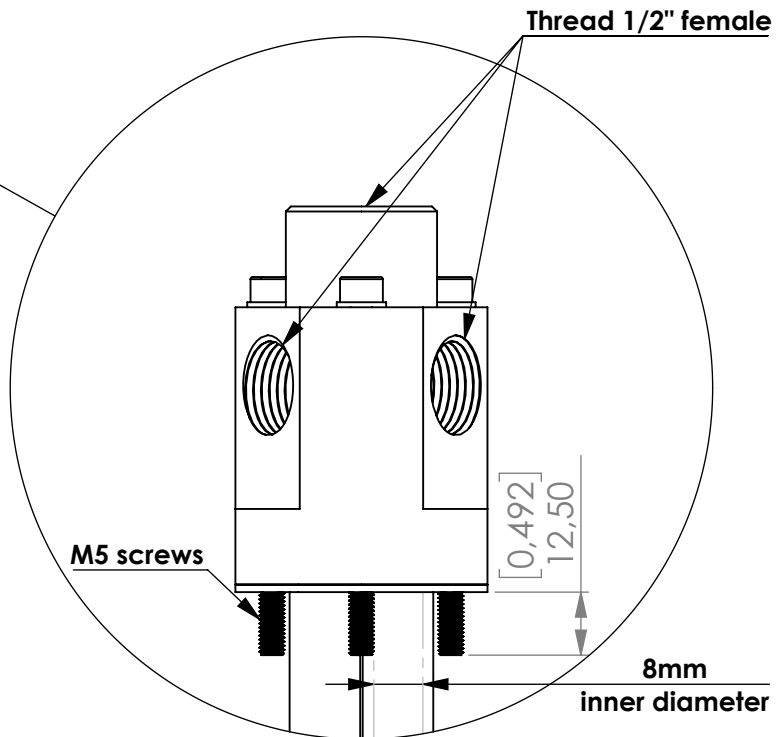
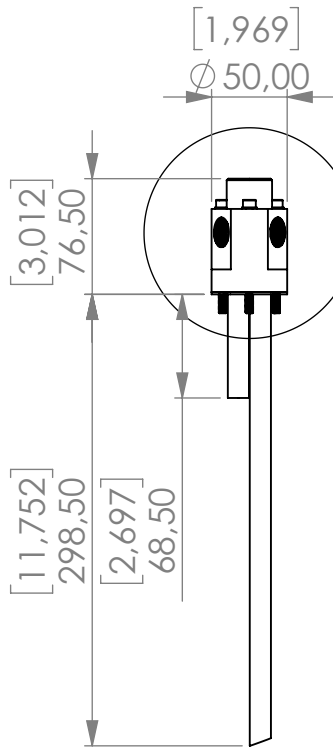
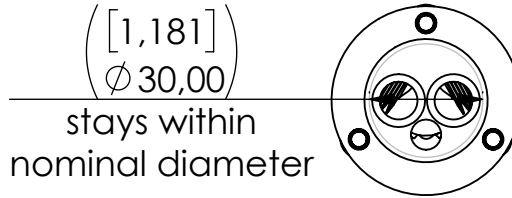
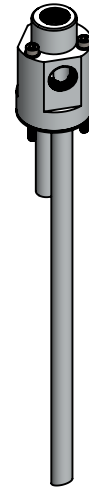


Suction lance



Suction rate (at 1.5m/s): 4L/min
Filling rate (at 3m/s): 8L/min

Product Code	SAL	-	LK41	-	AL	-	F	-	2-12f	-	12f
	Suction lance		Bolt circle 41mm		Material Aluminium		FKM seals		2x Connection for Bypass BSP G1/2" female		Connection for Adsorber Thread 1/2" female

Total weight (kg/lb): 0.34 / 0.75

NAME:

Suction lance

SAL-LK41_AL_F_2-12f_12f

Article no.:

08.2100.10

Status approved

Ratio 1:5

Format A4

Sheet / of 1 / 1



GIEBEL Adsorber®
 ...setting standards in aeration drying!

GIEBEL
www.giebel-adsorber.com
info@gf-dry.com