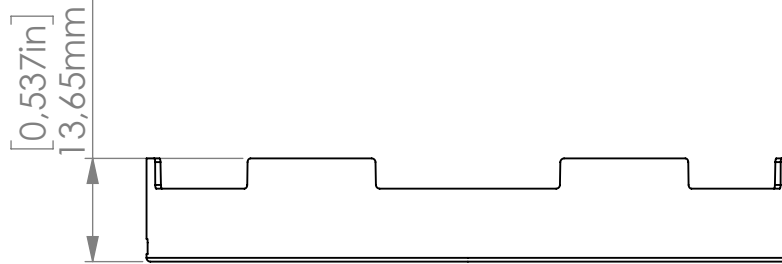
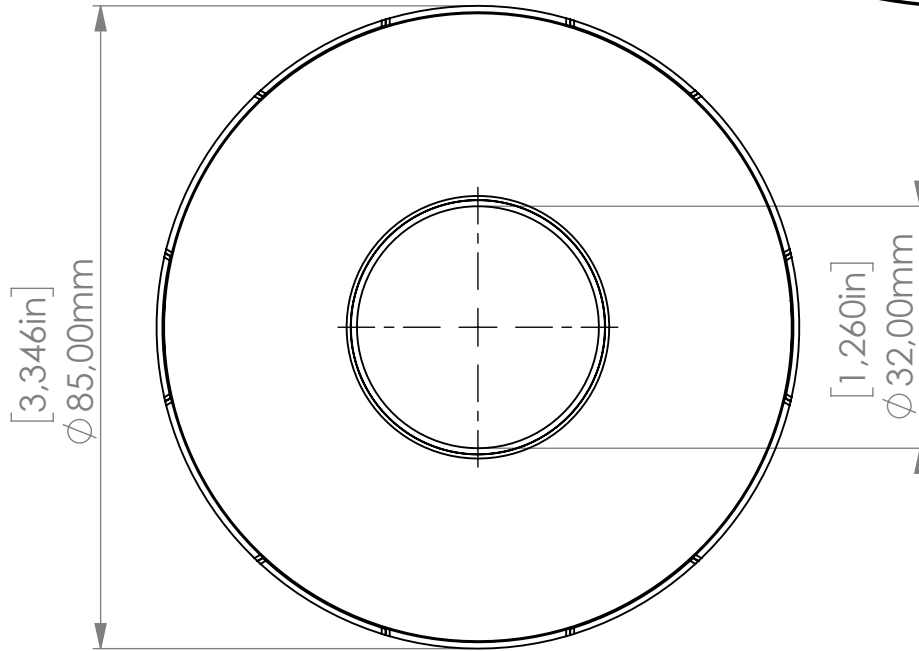
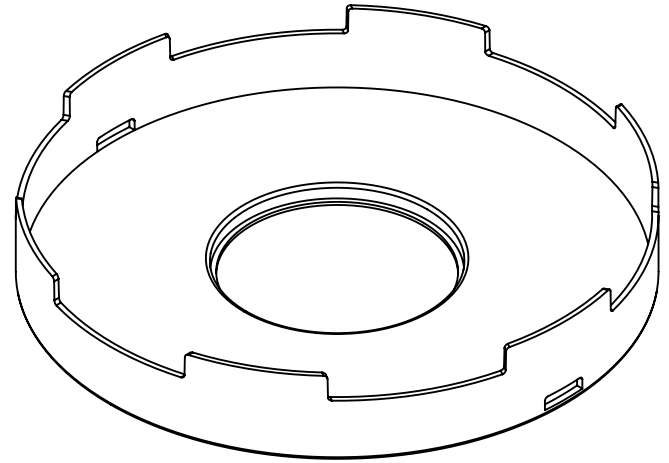


# Valve Protection



Product Code	<b>VAP</b>	-	<b>PA</b>	-	<b>VV</b>	-	<b>2</b>
	Valve Protection		Material polyamide 6 black		Suitable for Adsorber series VV		Suitable for Adsorber size 2

Total weight (kg/lb): 0.01 / 0.02

NAME:

**Valve Protection**  
VAP\_PA\_VV-2

Article no.:

**08.0020.01**

Status approved

Ratio 1:1

Format A4

Sheet / of 1 / 1



GIEBEL  
www.giebel-adsorber.com  
info@gf-dry.com