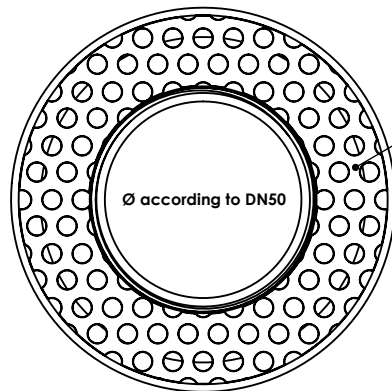
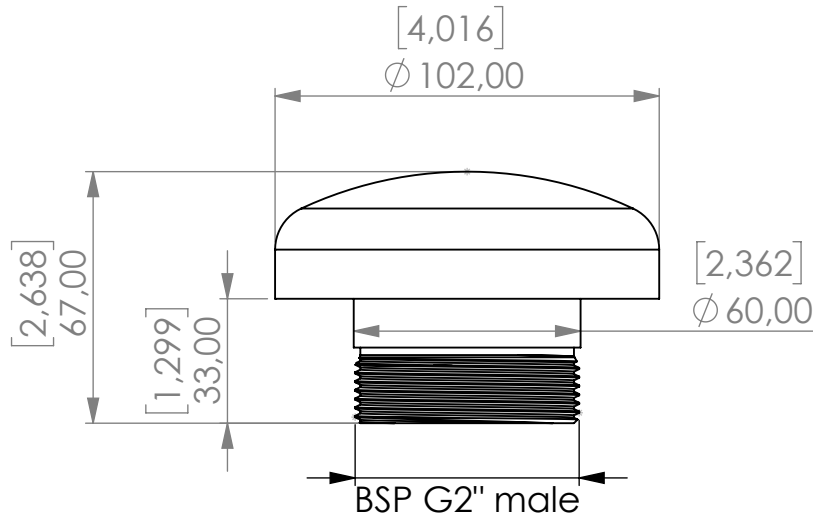
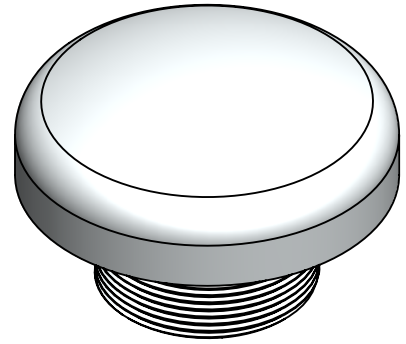


# Ventilation Hood



Bug protection grid

Product Code	VH	-	AL	-	DN50	-	G2m
	Ventilation-hood		Material aluminum		According to DN50		Connection for Adsorber BSP G2" male

Total weight (kg/lb): 0.17 / 0.37

NAME:

**Ventilation Hood**

VH\_AL\_DN50\_G2m

Article no.:

**08.0010.02**

Status approved

Format A4

Ratio

1:2

Sheet / of

1 / 1