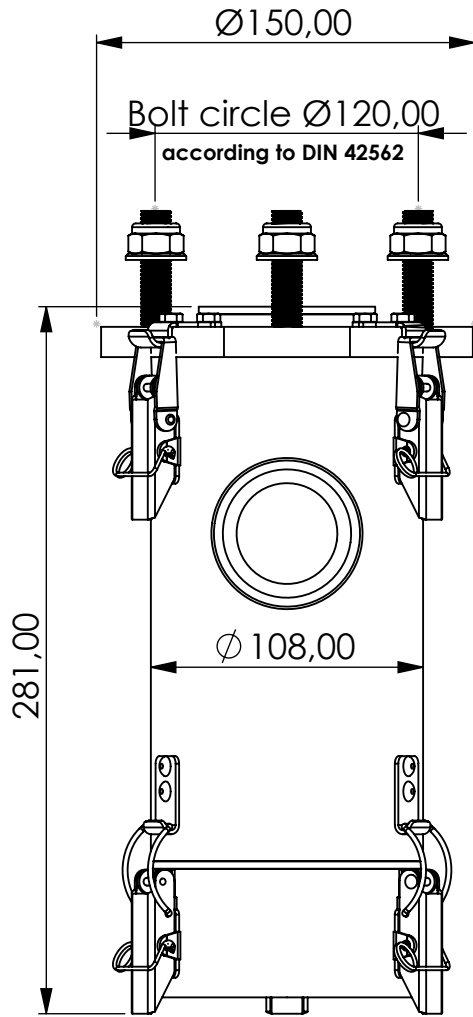
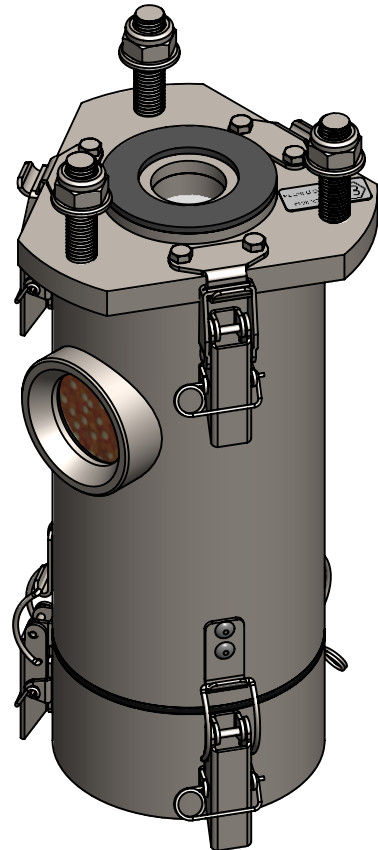
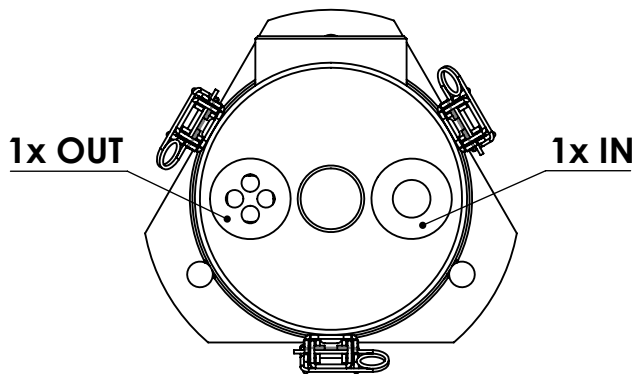


Adsorber TM-RV series

DIN EN 50216-5:2002 + A3:2006



M12 screws & nuts



Product Code	TM	-	RV	-	3M	-	F	-	11	-	V2	-	XC	-	DIN42562
	Adsorber type		Refillable + valves		Size		FKM seals		Check valves 1 IN 1 OUT		Filter fleece 2 micron		Adsorbent GIEBEL Xdry® & carbon		Connection for System DIN42562 flange

Housing materials: Stainless steel 316L

GIEBEL Xdry® (kg): 1,1 Color-change capacity (ml): 385

Total weight (kg): 5.65

NAME:

Adsorber TM-RV 3M DIN42562
TM-RV_3M_F_11_V2_XC_DIN42562

Article no.:
06.0005.08

Status freigabe	Format A4
Maßstab 1:3	Blatt / von 1 / 1



GIEBEL Adsorber®
...setting standards in aeration drying!

GIEBEL FilTec GmbH
www.giebel-adsorber.com
info@gf-dry.com