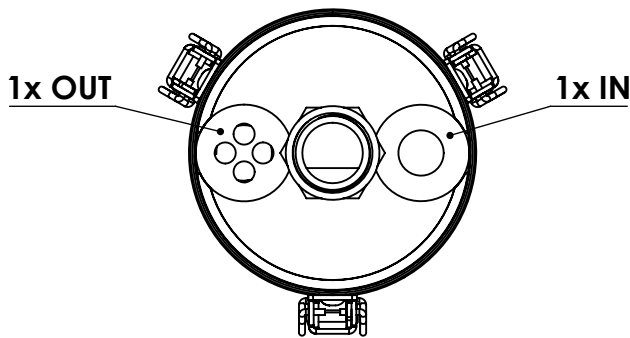
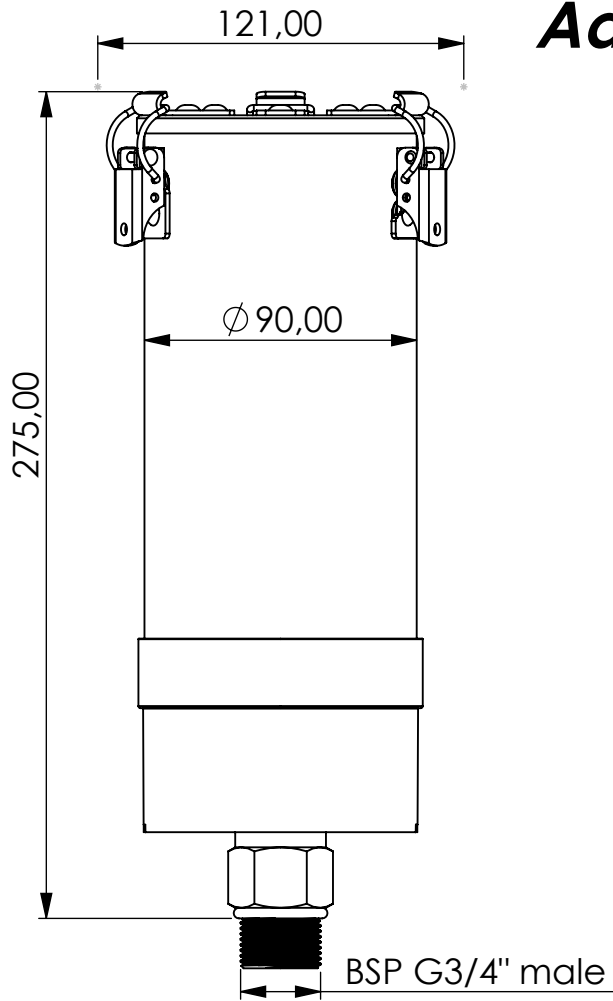


Adsorber VV-RV series



| | | | | | | | | | | | | | | | |
|--------------|---------------|---|-------------------------------|---|-----------|---|-----------|---|-------------------------------|---|--------------------------|---|---------------------------------------|---|---|
| Product Code | VV | - | RV | - | 2L | - | F | - | 11 | - | P3 | - | XC | - | G34m |
| | Adsorber type | | Refillable cartridge + valves | | Size | | FKM seals | | Check valves 1 IN 1 OUT | | Paper filter 3 micron | | Adsorbent GIEBEL Xdry® & carbon | | Connection for System BSP G3/4" male |

Housing materials: PA6, PC, AL

GIEBEL Xdry® (kg): 0,5 Color-change capacity (ml): 175

Total weight (kg): 1.30

NAME:

Adsorber VV-RV 2L G3/4"m
VV-RV_2L_F_11_P3_XC_G34m

Article no.:
05.0020.99

| | |
|--------------------|----------------------|
| Status freigabe | Format A4 |
| Maßstab 1:2.5 | Blatt / von 1 / 1 |

| | | |
|--|-----------------|--------------|
|  <p>GIEBEL Adsorber® ...setting standards in aeration drying!</p> | Date | Name |
| | rev. 27.01.2023 | Daniel Zinic |
| GIEBEL FilTec GmbH www.giebel-adsorber.de info@giebel-adsorber.de | | |