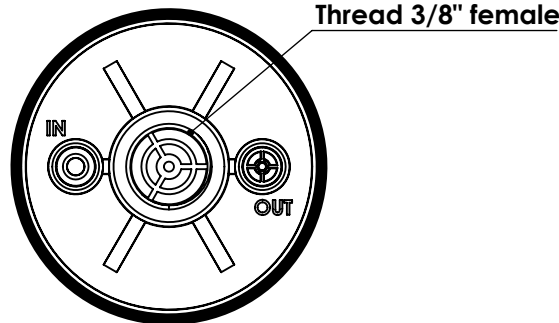
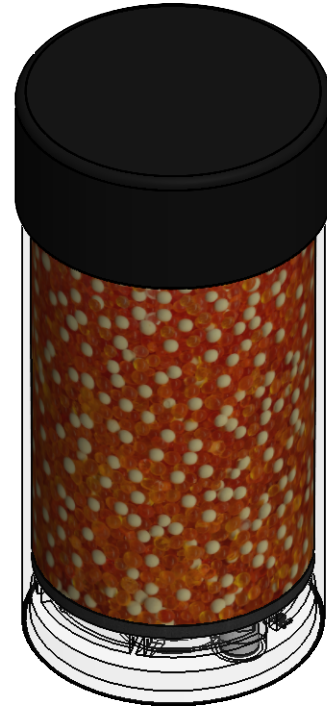
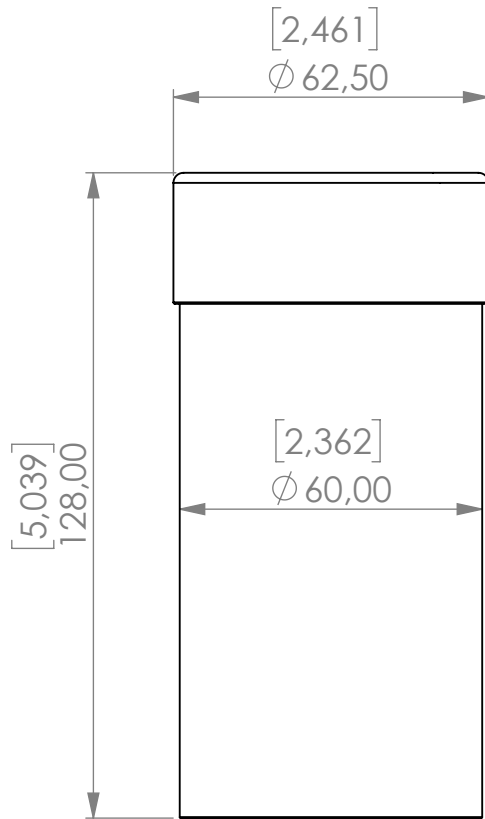


Adsorber VV-DV series



Product Code	VV	-	DV	-	1L	-	N	-	11	-	V2	-	XC	-	38f
	Adsorber type		Disposable cartridge + valves		Size		NBR seals		Check valves 1 IN 1 OUT		Filter fleece 2 micron		Adsorbent GIEBEL Xdry® & carbon		Connection for System Thread 3/8" female

Housing materials:	PA6, PC	
GIEBEL Xdry® (kg/lb):	0,15 / 0.33	Color-change capacity (ml/floz): 53 / 1.8
Total weight (kg/lb):	0.26 / 0.57	

NAME:		
Adsorber VV-DV 1L 3/8"f		
VV-DV_1L_N_11_V2_XC_38f		
Article no.:	Status freigabe	Format A4
05.0010.05	Maßstab	Blatt / von
	1:1.5	1 / 1

 GIEBEL Adsorber® <small>...setting standards in aeration drying!</small>	rev.	Date	Name
		16.07.2025	Daniel Zinic
GIEBEL www.giebel-adsorber.com info@gf-dry.com			