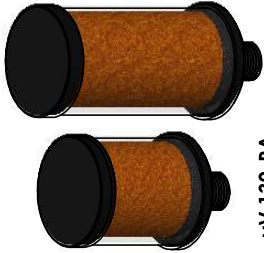


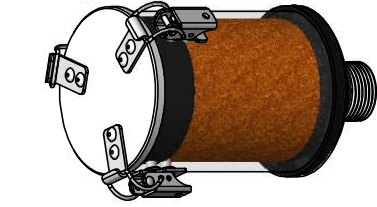
# VENT PA-R (OV)

ohne Ventile  
without valves

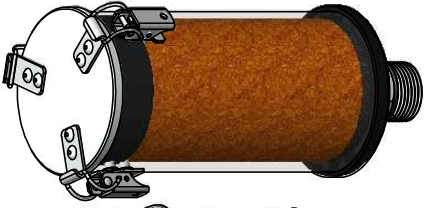


VV 130-PA

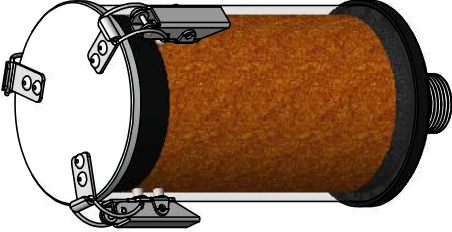
VV 150-PA



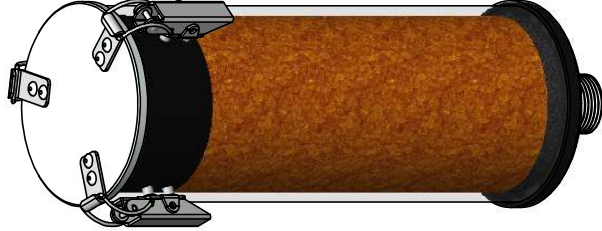
VV 210-PA



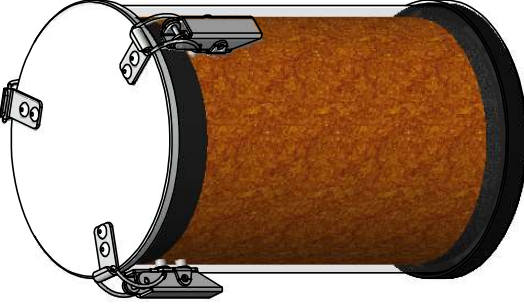
VV 230-PA



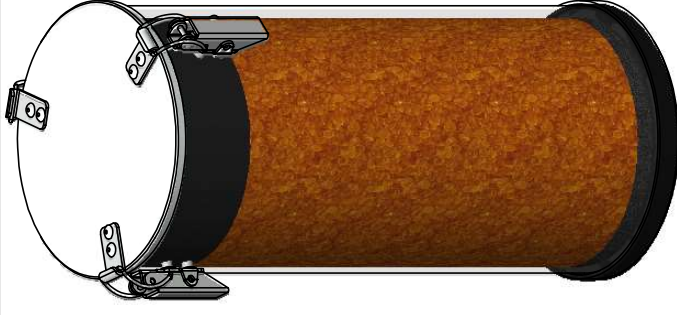
VV 310-PA



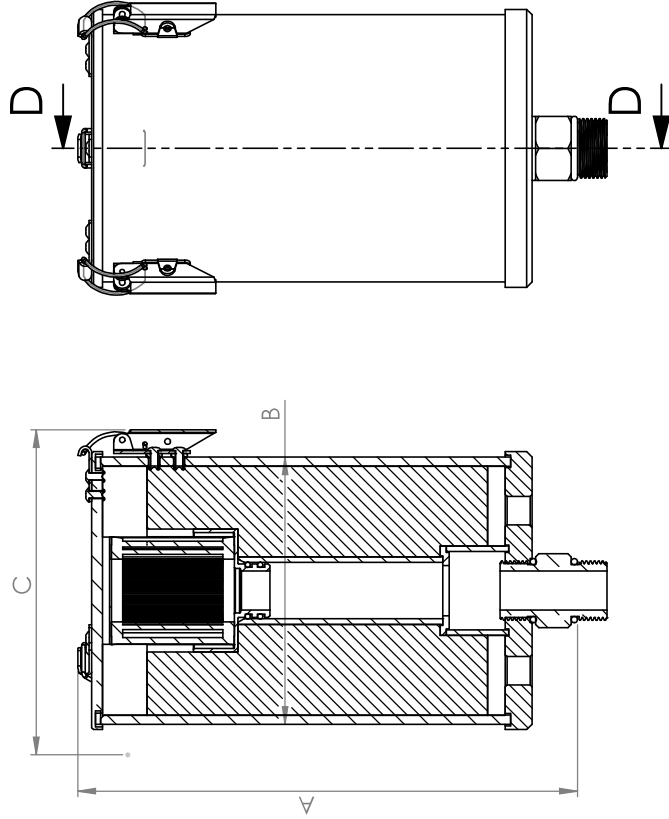
VV 330-PA



VV 510-PA



VV 530-PA



Adsorber	Article no. Artikel Nr.	Code / Typenschlüssel	Total weight Gewicht [kg]	Silicagel weight Gewicht [kg]	A [mm]	B [mm]	C [mm]	Connection Anschluss
VENT 130-PA	05.0010.07	VV 130-PA N.00.VZ.S.G12a	0.2	0.1	95	60	65	BSP G1/2" m.
	05.0010.12	VV 130-PA N.00.VZ.S.G38a	0.2	0.1	95	60	65	BSP G3/8" m.
	05.0010.10	VV 130-PA N.00.VZ.S.G38f	0.2	0.1	80	60	65	BSP G3/8" f.
VENT 150-PA	05.0010.28	VV 150-PA N.00.VZ.S.G12a	0.3	0.2	140	60	65	BSP G1/2" m.
	05.0010.46	VV 150-PA N.00.VZ.S.G34a	0.3	0.2	140	60	65	BSP G3/4" m.
	05.0010.16	VV 150-PA N.00.VZ.S.G38a	0.3	0.2	140	60	65	BSP G3/8" m.
VENT 210-PA	05.0010.14	VV 150-PA N.00.VZ.S.G38f	0.3	0.2	125	60	65	BSP G3/8" f.
	05.0020.56	VV 210-PA N.00.P3.SA.G1a	0.9	0.3	165	90	120	BSP G1" m.
	05.0020.57	VV 210-PA N.00.P3.SA.G34a	0.9	0.3	165	90	120	BSP G3/4" m.
VENT 230-PA	05.0020.15	VV 210-PA N.00.P3.SA.G34f	0.9	0.3	140	90	120	BSP G3/4" f.
	05.0020.76	VV 230-PA N.00.P3.SA.G34a	1.2	0.5	225	90	120	BSP G1" m.
	05.0020.19	VV 230-PA N.00.P3.SA.G34f	1.2	0.5	200	90	120	BSP G3/4" f.
VENT 310-PA	05.0030.53	VV 310-PA N.00.P3.SA.G1a	1.8	0.9	240	110	140	BSP G1" m.
	05.0030.13	VV 310-PA N.00.P3.SA.G34a	1.8	0.9	240	110	140	BSP G3/4" m.
	05.0030.12	VV 310-PA N.00.P3.SA.G34f	1.8	0.9	215	110	140	BSP G3/4" f.
VENT 330-PA	05.0030.19	VV 330-PA N.00.P3.SA.G1a	2.6	1.4	340	110	140	BSP G1" m.
	05.0030.16	VV 330-PA N.00.P3.SA.G34a	2.6	1.4	340	110	140	BSP G3/4" m.
	05.0030.15	VV 330-PA N.00.P3.SA.G34f	2.6	1.4	315	110	140	BSP G3/4" f.
VENT 510-PA	05.0060.10	VV 510-PA N.00.P3.SA.G1a	3.9	2.3	280	150	180	BSP G1" m.
	05.0060.29	VV 510-PA N.00.P3.SA.G1f	3.9	2.3	255	150	180	BSP G1" f.
	05.0060.33	VV 530-PA N.00.P3.SA.G1a	5.3	3.4	380	150	180	BSP G1" m.
VENT 530-PA	05.0060.31	VV 530-PA N.00.P3.SA.G1f	5.3	3.4	355	150	180	BSP G1" f.



**GIEBEL FITec GmbH**  
 GIEBEL Adsorber seit 1966 in Deutschland  
 Allgemein-  
 toleranzen  
 DIN ISO 2768-mK

Proj.methode 1  
 Material:  
 Gewicht (kg):

Roßabmessung:

Name	Datum	Erstellt	Gepr.
Julius Ovel	23.11.2015	23.11.2015	
Daniel Zinic		07.02.2019	

Benennung:  
**VENT PA-R (OV)**

Refillable / Wiederbefüllbar

Artikelnummer:  
 GIEBEL FITec GmbH  
 www.giebel-adsorber.de  
 info@giebel-adsorber.de

Status  
 freigegeben  
 Maßstab  
 1:3

Rev./Änderung	Datum	Name	Schutzvermerk ISO 18016 beachten!	Identnummer.
5				6
4				7
3				8
2				
1				

**All seals / Dichtungen: NBR**