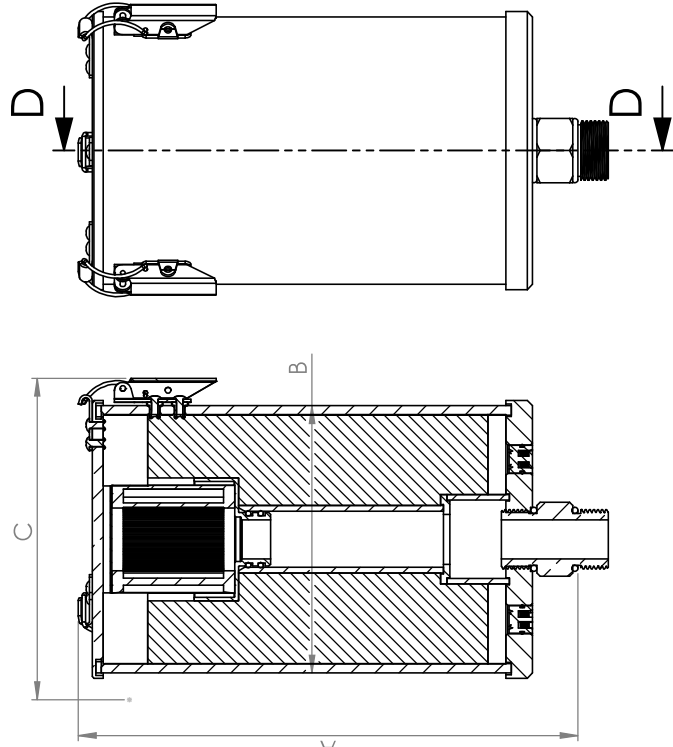
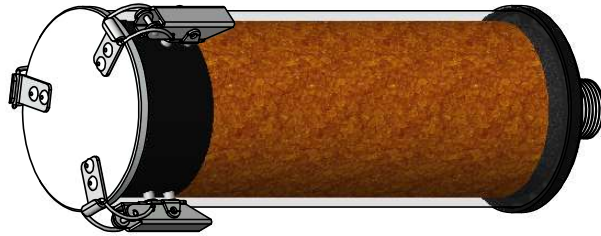
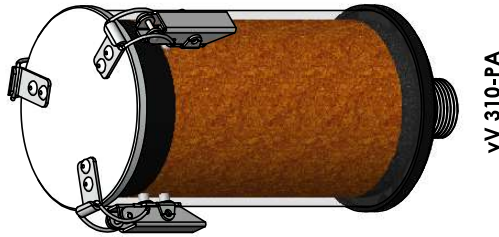
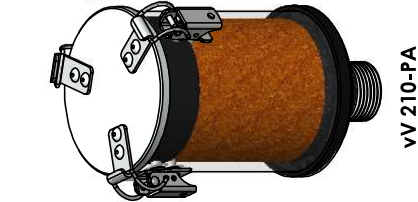
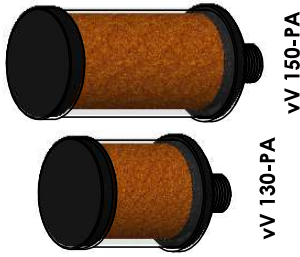


VENT PA-R (mV)

mit Ventile
with valves



All seals / Dichtungen: NBR

| Adsorber | Article no. Artikel Nr. | Code / Typenschlüssel | Valves Ventile | Total weight Gewicht [kg] | Silicagel weight Gewicht [kg] | A [mm] | B [mm] | C [mm] | Connection Anschluss |
|-------------|----------------------------|---------------------------|-------------------|------------------------------|----------------------------------|--------|--------|--------|-------------------------|
| VENT 130-PA | 05.0010.37 | VV 130-PA-N 11-V2-S-G12g | 1x In / 1x OUT | 0.22 | 0.1 | 100 | 60 | 65 | BSP G1/2" m. |
| | 05.0010.11 | VV 130-PA-N 11-V2-S-G38g | 1x In / 1x OUT | 0.2 | 0.1 | 100 | 60 | 65 | BSP G3/8" m. |
| VENT 150-PA | 05.0010.09 | VV 130-PA-N 11-V2-S-G38i | 1x In / 1x OUT | 0.2 | 0.1 | 85 | 60 | 65 | BSP G3/8" f. |
| | 05.0010.17 | VV 150-PA-N 11-V2-S-G12g | 1x In / 1x OUT | 0.3 | 0.2 | 145 | 60 | 65 | BSP G1/2" m. |
| | 05.0010.15 | VV 150-PA-N 11-V2-S-G38g | 1x In / 1x OUT | 0.3 | 0.2 | 145 | 60 | 65 | BSP G3/8" m. |
| | 05.0010.13 | VV 150-PA-N 11-V2-S-G38i | 1x In / 1x OUT | 0.3 | 0.2 | 130 | 60 | 65 | BSP G3/8" f. |
| VENT 210-PA | 05.0020.30 | VV 210-PA-N 11-P3-SA-G1g | 1x In / 1x OUT | 0.9 | 0.3 | 165 | 90 | 120 | BSP G1" m. |
| | 05.0020.06 | VV 210-PA-N 11-P3-SA-G34g | 1x In / 1x OUT | 0.9 | 0.3 | 165 | 90 | 120 | BSP G3/4" f. |
| | 05.0020.14 | VV 210-PA-N 11-P3-SA-G34i | 1x In / 1x OUT | 0.9 | 0.3 | 140 | 90 | 120 | BSP G3/4" m. |
| VENT 230-PA | 05.0020.33 | VV 230-PA-N 11-P3-SA-G1g | 1x In / 1x OUT | 1.2 | 0.5 | 225 | 90 | 120 | BSP G1" m. |
| | 05.0020.07 | VV 230-PA-N 11-P3-SA-G34g | 1x In / 1x OUT | 1.2 | 0.5 | 225 | 90 | 120 | BSP G3/4" f. |
| | 05.0020.14 | VV 230-PA-N 11-P3-SA-G34i | 1x In / 1x OUT | 1.2 | 0.5 | 200 | 90 | 120 | BSP G3/4" m. |
| VENT 310-PA | 05.0030.54 | VV 310-PA-N 22-P3-SA-G1g | 2x In / 2x OUT | 1.8 | 0.9 | 240 | 110 | 140 | BSP G1" m. |
| | 05.0030.06 | VV 310-PA-N 22-P3-SA-G34g | 2x In / 2x OUT | 1.8 | 0.9 | 240 | 110 | 140 | BSP G3/4" f. |
| | 05.0030.11 | VV 310-PA-N 22-P3-SA-G34i | 2x In / 2x OUT | 1.8 | 0.9 | 215 | 110 | 140 | BSP G3/4" m. |
| VENT 330-PA | 05.0030.56 | VV 330-PA-N 22-P3-SA-G1g | 2x In / 2x OUT | 2.6 | 1.4 | 340 | 110 | 140 | BSP G1" m. |
| | 05.0030.07 | VV 330-PA-N 22-P3-SA-G34g | 2x In / 2x OUT | 2.6 | 1.4 | 340 | 110 | 140 | BSP G3/4" f. |
| | 05.0030.14 | VV 330-PA-N 22-P3-SA-G34i | 2x In / 2x OUT | 2.6 | 1.4 | 315 | 110 | 140 | BSP G3/4" m. |
| VENT 510-PA | 05.0060.11 | VV 510-PA-N 22-P3-SA-G1g | 2x In / 2x OUT | 3.9 | 2.3 | 280 | 150 | 180 | BSP G1" m. |
| | 05.0060.28 | VV 510-PA-N 22-P3-SA-G1i | 2x In / 2x OUT | 3.9 | 2.3 | 255 | 150 | 180 | BSP G1" f. |
| VENT 530-PA | 05.0060.32 | VV 530-PA-N 22-P3-SA-G1g | 2x In / 2x OUT | 5.3 | 3.4 | 380 | 150 | 180 | BSP G1" m. |
| | 05.0060.30 | VV 530-PA-N 22-P3-SA-G1i | 2x In / 2x OUT | 5.3 | 3.4 | 355 | 150 | 180 | BSP G1" f. |

GIEBEL FilTec GmbH
GIEBEL Adsorbent storage standards in accordance with DIN 6711

Roßabmessung:

Material:
 Gewicht (kg):

Algemein-
 toleranzen
 DIN ISO 2768-mK
 Projektmethode 1

Datum
 Name
 Erstellt: 23.11.2015
 Gepr.: Julius Ovel
 Freig.: 17.02.2019
 Daniel Zinic

Benennung:
VENT PA-R (mV)
 Refillable / Wiederbefüllbar

Artikelnummer:
 Status
 freigegeben
 Maßstab
 1:3

Rev./Änderung
 Datum
 Name
 Schutzvermerk ISO 18016 beachten!

Identifikationsnummer:
 7

Blatt / von
 A3
 1 / 1

Format
 A3
 1 / 1

1

2

3

4

5

6

7

8