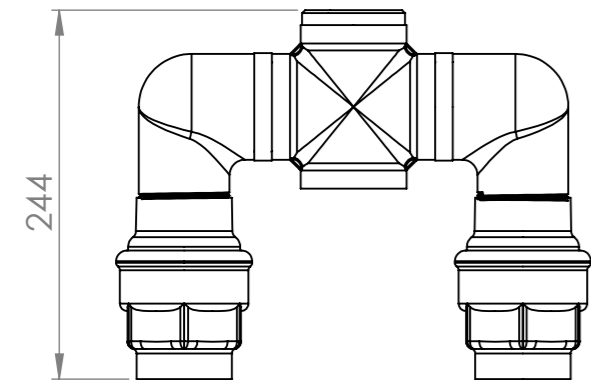
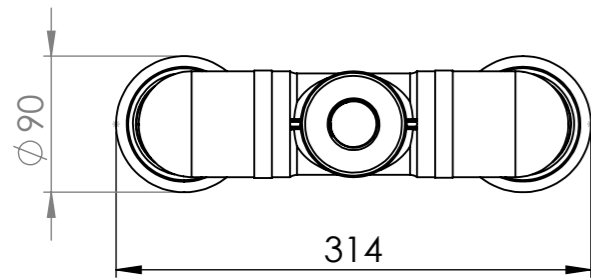
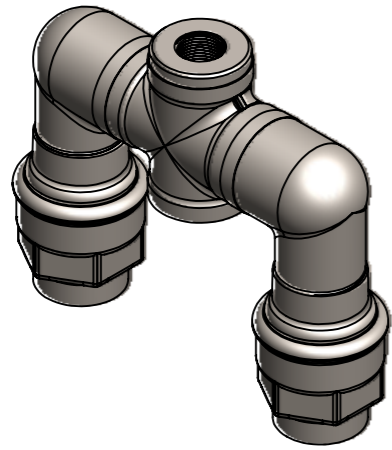
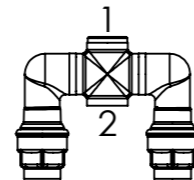
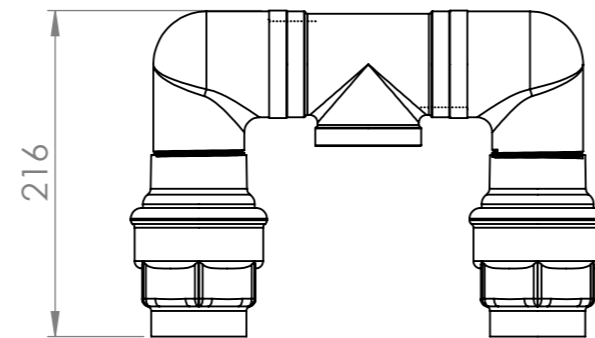
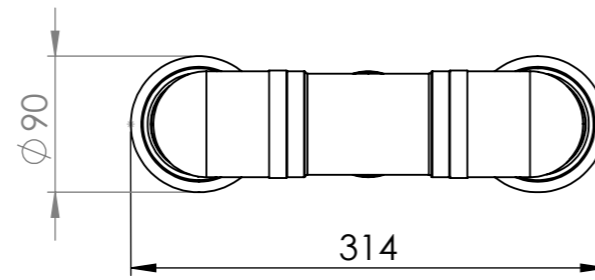
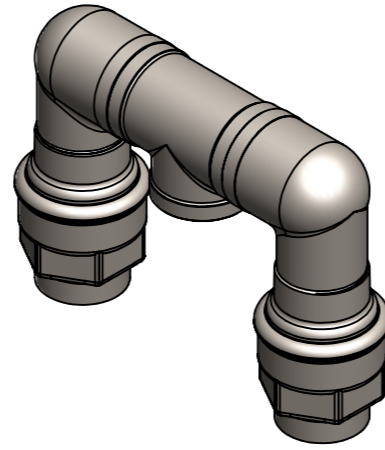


EBS_SS_F_2-V0,03_G1i_G2i
EBS_SS_E_2-V0,03_G1i_G2i



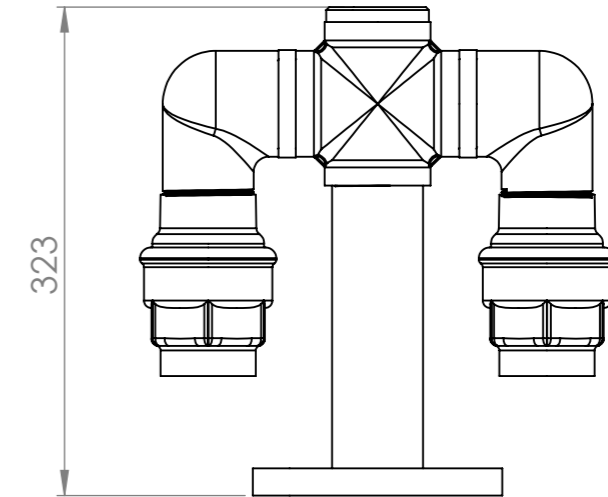
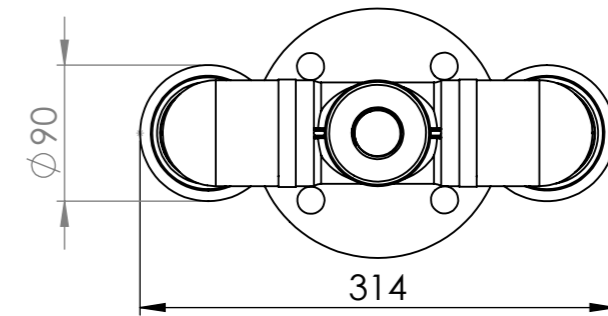
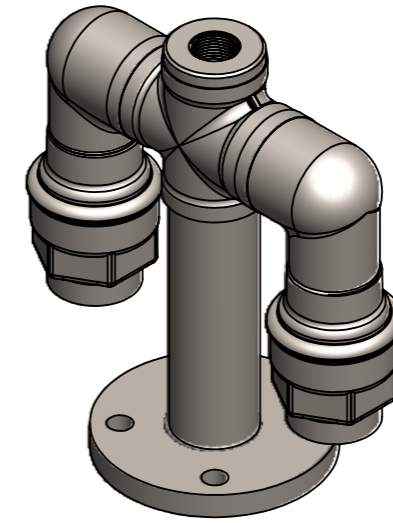
EBS_SS_F_2-V0,03_G2i
EBS_SS_E_2-V0,03_G2i



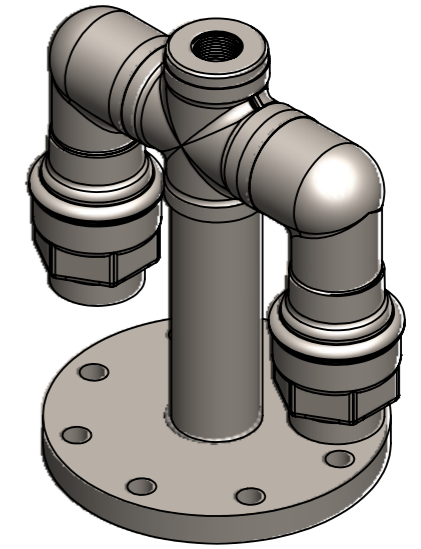
Material: Stainless steel / Edelstahl
2x Valves / Ventile +30mbar

Type Description Typenschlüssel	Article no. Artikel Nr.	Seals Dichtungen	Weight Gewicht [kg]	Connection / Anschluss [G]
EBS_SS_F_2-V0,03_G1i_G2i	08.0000.69	FKM	3,5	1" 2"
EBS_SS_F_2-V0,03_G2i	08.0000.83	FKM	3,0	- 2"
EBS_SS_E_2-V0,03_G1i_G2i	08.0000.82	EPDM	3,5	1" 2"
EBS_SS_E_2-V0,03_G2i	08.0000.84	EPDM	3,0	- 2"
EBS_SS_F_2-V0,03_G1i_FDN50	08.0000.57	FKM	8,0	1" DN50
EBS_SS_F_2-V0,03_G1i_FDN65	08.0000.74	FKM	8,6	1" DN65
EBS_SS_F_2-V0,03_G1i_FDN80	08.0000.75	FKM	9,7	1" DN80
EBS_SS_F_2-V0,03_G1i_Flbs150-2	08.0000.56	FKM	7,4	1" lbs150 2"
EBS_SS_F_2-V0,03_G1i_Flbs150-4	08.0000.79	FKM	12,2	1" lbs150 4"

EBS_SS_F_2-V0,03_G1i_FDN50
EBS_SS_F_2-V0,03_G1i_FDN65
EBS_SS_F_2-V0,03_G1i_FDN80



EBS_SS_F_2-V0,03_G1i_Flbs150-2
EBS_SS_F_2-V0,03_G1i_Flbs150-4



		Allgemein-toleranzen DIN ISO 2768-mK				Rohabmessung:	
Datum		Name		Material:		Gewicht (kg):	
Erstellt 09.08.2018		Daniel Zinic		Benennung:		Accessories	
Gepr.		Freig. 29.07.2019		Daniel Zinic		Ventilation System / Entlüftungssystem	
GIEBEL FilTec GmbH www.giebel-adsorber.de info@giebel-adsorber.de		Artikelnummer:		Status freigegeben		Format A3	
Rev Änderung		Datum		Name		Blatt / von 1 / 1	
Schutzvermerk ISO 16016 beachten		Identnummer:		Maßstab 1:5		1 / 1	