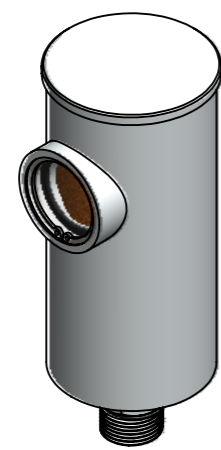
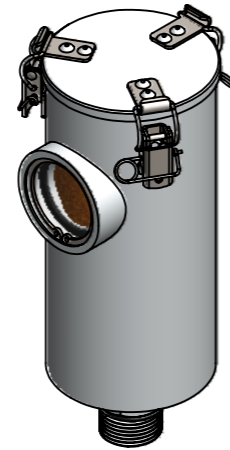


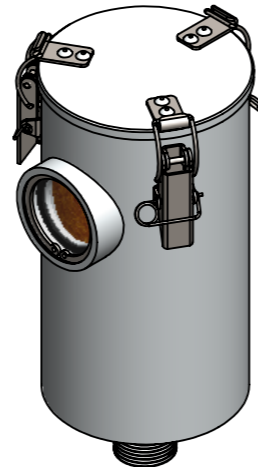
VENT MA



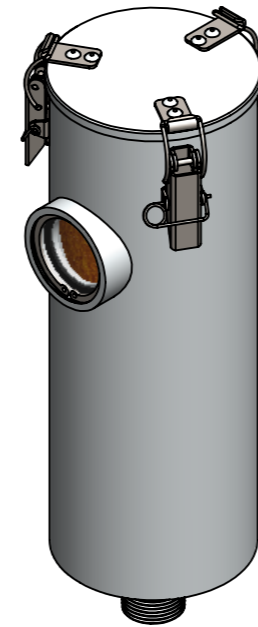
vV 220-MA
(non-refillable,
nicht wiederbefüllbar)



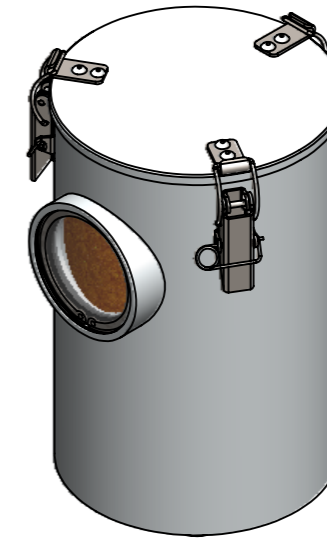
vV 230-MA



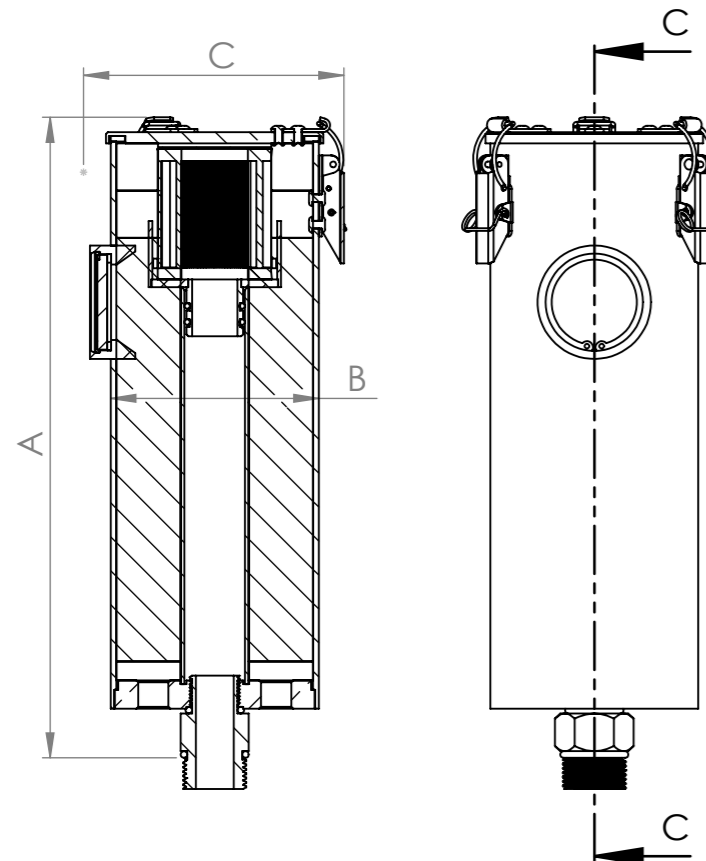
vV 310-MA



vV 330-MA



vV 510-MA



| Adsorber | Article no. / Artikel Nr. | Code / Typenschlüssel | Seal Dichtung | Valves Ventile | Total weight / Gewicht [kg] | Adsorbents weight / Gewicht [kg] | A [mm] | B [mm] | C [mm] | Connection Anschluss |
|-------------|------------------------------|---------------------------|--------------------------|-------------------|--------------------------------|-------------------------------------|-----------|-----------|-----------|-------------------------|
| VENT 220-MA | 05.0030.97 | vV 220-MA_F_11_P3_SA_G1a | FKM | 1x IN / 1x OUT | 1,6 | 0,6 | 220 | 90 | 110 | BSP G 1" m. |
| | 05.0040.11 | vV 220-MA_F_11_P3_SA_G34i | FKM | 1x IN / 1x OUT | 1,6 | 0,6 | 195 | 90 | 110 | BSP G 3/4" f. |
| VENT 230-MA | 05.0030.99 | vV 230-MA_F_00_P3_SA_G1a | FKM | none/keine | 1,7 | 0,6 | 230 | 90 | 120 | BSP G 1" m. |
| | 05.0030.57 | vV 230-MA_F_00_P3_SA_G34a | FKM | none/keine | 1,7 | 0,6 | 230 | 90 | 120 | BSP G 3/4" m. |
| | 05.0030.98 | vV 230-MA_F_00_P3_SA_G34i | FKM | none/keine | 1,7 | 0,6 | 205 | 90 | 120 | BSP G 3/4" f. |
| | 05.0040.12 | vV 230-MA_E_00_P3_SA_G1a | EPDM | none/keine | 1,7 | 0,6 | 230 | 90 | 120 | BSP G 1" m. |
| | 05.0030.95 | vV 230-MA_E_00_P3_SA_G34a | EPDM | none/keine | 1,7 | 0,6 | 230 | 90 | 120 | BSP G 3/4" m. |
| | 05.0030.90 | vV 230-MA_F_11_P3_SA_G1a | FKM | 1x IN / 1x OUT | 1,7 | 0,6 | 230 | 90 | 120 | BSP G 1" m. |
| | 05.0030.31 | vV 230-MA_F_11_P3_SA_G34a | FKM | 1x IN / 1x OUT | 1,7 | 0,6 | 230 | 90 | 120 | BSP G 3/4" m. |
| | 05.0040.01 | vV 230-MA_F_11_P3_SA_G34i | FKM | 1x IN / 1x OUT | 1,7 | 0,6 | 205 | 90 | 120 | BSP G 3/4" f. |
| | 05.0030.48 | vV 230-MA_E_11_P3_SA_G1a | EPDM | 1x IN / 1x OUT | 1,7 | 0,6 | 230 | 90 | 120 | BSP G 1" m. |
| | VENT 310-MA | 05.0040.02 | vV 310-MA_F_00_P3_SA_G1a | FKM | none/keine | 2,3 | 0,9 | 240 | 110 | 140 |
| 05.0030.65 | | vV 310-MA_F_00_P3_SA_G34a | FKM | none/keine | 2,3 | 0,9 | 240 | 110 | 140 | BSP G 3/4" m. |
| 05.0040.03 | | vV 310-MA_F_00_P3_SA_G34i | FKM | none/keine | 2,3 | 0,9 | 215 | 110 | 140 | BSP G 3/4" f. |
| VENT 330-MA | 05.0030.52 | vV 310-MA_E_00_P3_SA_G1a | EPDM | none/keine | 2,3 | 0,9 | 240 | 110 | 140 | BSP G 1" m. |
| | 05.0040.04 | vV 330-MA_F_00_P3_SA_G1a | FKM | none/keine | 3,3 | 1,5 | 340 | 110 | 140 | BSP G 1" m. |
| | 05.0040.05 | vV 330-MA_F_00_P3_SA_G34i | FKM | none/keine | 3,3 | 1,5 | 315 | 110 | 140 | BSP G 3/4" f. |
| VENT 510-MA | 05.0030.35 | vV 330-MA_E_00_P3_SA_G1a | EPDM | none/keine | 3,3 | 1,5 | 340 | 110 | 140 | BSP G 1" m. |
| | 05.0030.77 | vV 510-MA_F_00_P3_SA_G1a | FKM | none/keine | 4,6 | 2,3 | 270 | 150 | 180 | BSP G 1" m. |
| | 05.0040.06 | vV 510-MA_F_00_P3_SA_G1i | FKM | none/keine | 4,6 | 2,3 | 245 | 150 | 180 | BSP G 1" f. |
| | 05.0030.94 | vV 510-MA_E_00_P3_SA_G1a | EPDM | none/keine | 4,6 | 2,3 | 270 | 150 | 180 | BSP G 1" m. |