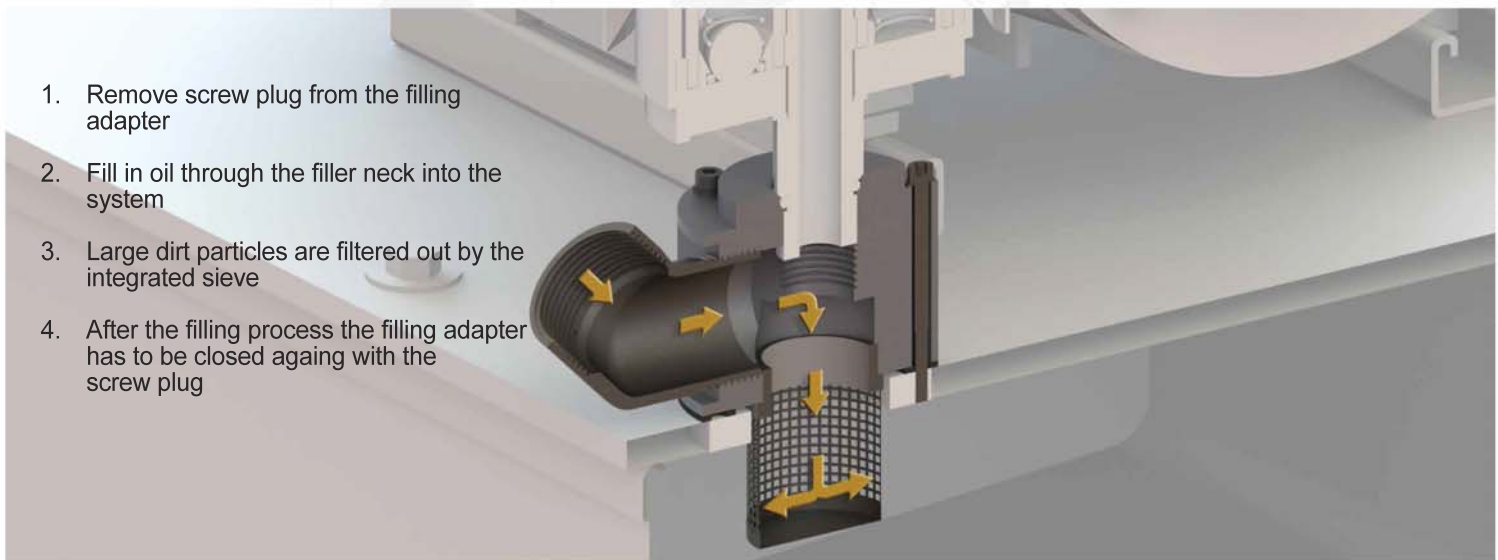




ACCESSORIES

FILLING ADAPTER

The use of a filling adapter allows an easy refilling of hydraulic oil or other substances. By the 40 mm filler neck the oil can be filled in very comfortable. The adsorber does not have to be dismantled during the refilling. Manufactured in the standard version of high-quality aluminum, the filling adapter is well suited for long-term use on hydraulic units. Optionally available in stainless steel. The filling adapter is equipped with a sieve to filter potentially entering dirt particles. Including sealing and screws.



1. Remove screw plug from the filling adapter
2. Fill in oil through the filler neck into the system
3. Large dirt particles are filtered out by the integrated sieve
4. After the filling process the filling adapter has to be closed again with the screw plug

VERSION	BOLT CIRCLE	SCREWING	SIZE A [mm]	SIZE B [mm]	SIZE C [mm]
F-LK73-MA_Fill	LK 73 mm DIN 24557	5x M5	67	73	150
AS-MA_Fill		G 1" M.	83	75	135

