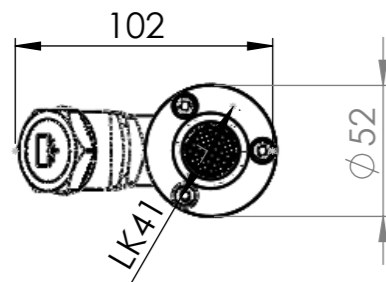
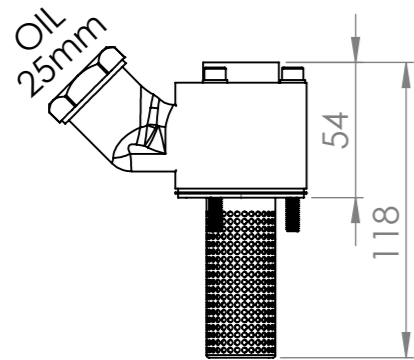
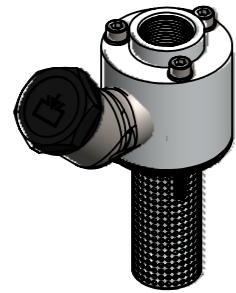
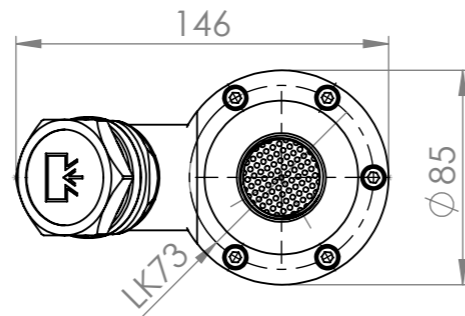
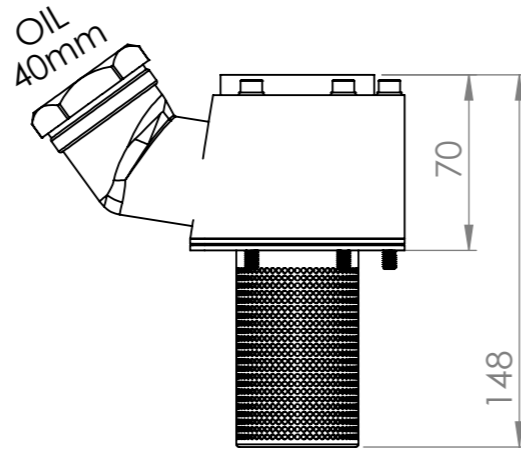
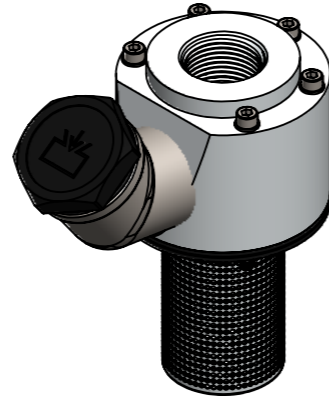


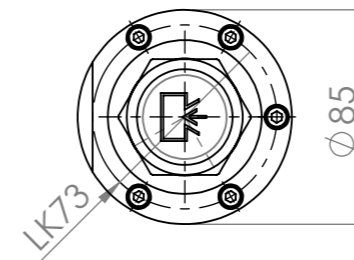
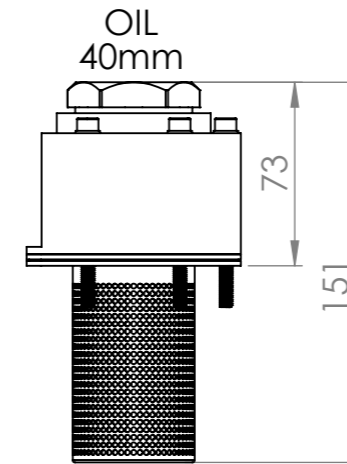
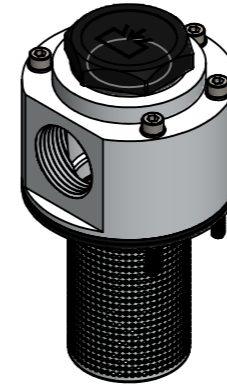
FILL-LK41_AL_N_G12i



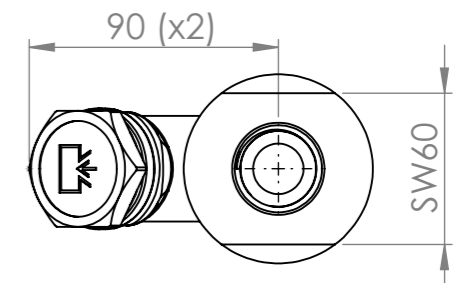
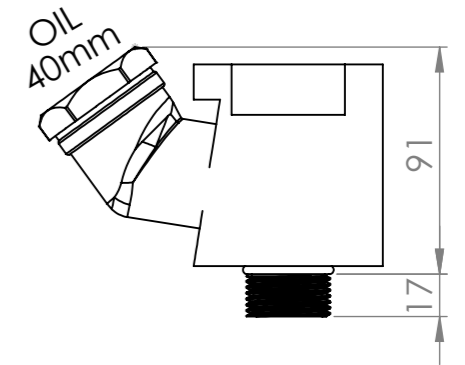
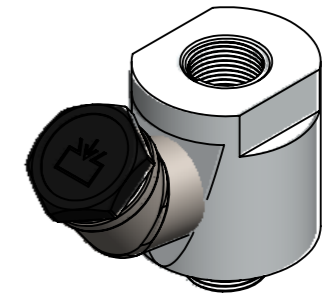
FILL-LK73_AL_N_G1i
 FILL-LK73_AL_F_G1i
 FILL-LK73_AL_E_G1i
 FILL-LK73_SS_F_G1i



FILL-LK73_AL_N_G1i-SC



FILL-AD_AL_N_G1i_G1a
 FILL-AD_SS_F_G1i_G1a



All screws / Alle Schrauben: M5

Type Description Typenschlüssel	Article no. Artikel Nr.	Material Werkstoff	Seal Dichtung	Weight / Gewicht [kg]	Connection / Anschluss [G]
FILL-LK41_AL_N_G12i	08.2112.16	Aluminium	NBR	0,3	1/2"
FILL-LK73_AL_N_G1i	08.2112.01	Aluminium	NBR	1,0	1"
FILL-LK73_AL_F_G1i	08.2112.23	Aluminium	FKM	1,0	1"
FILL-LK73_AL_E_G1i	08.2112.06	Aluminium	EPDM	1,1	1"
FILL-LK73_AL_N_G1i-SC	08.2112.24	Aluminium	NBR	0,7	1"
FILL-LK73_SS_F_G1i	08.2112.04	Stainless steel	FKM	2,2	1"
FILL-AD_AL_N_G1i_G1a	08.2112.18	Aluminium	NBR	1,0	1"
FILL-AD_SS_F_G1i_G1a	08.2112.22	Stainless steel	FKM	2,5	1"

		Allgemein-toleranzen DIN ISO 2768-mK				Rohabmessung:	
a eco & oil entfernt		29.08.2018 DZ		Datum		Name	
b G1-1/4i Versionen entfernt		30.08.2018 DZ		Erstellt 20.07.2018		Daniel Zinic	
				Gepr.			
				Freig. 29.08.2018		Daniel Zinic	
				GIEBEL FilTec GmbH www.giebel-adsorber.de info@giebel-adsorber.de		Accessories Filling Adapter / Einfülladapter	
Rev Änderung		Datum		Name		Identnummer:	
				Schutzvermerk ISO 16016 beachten		Status freigegeben	
						Format A3	
						Maßstab 1:3	
						Blatt / von 1 / 1	