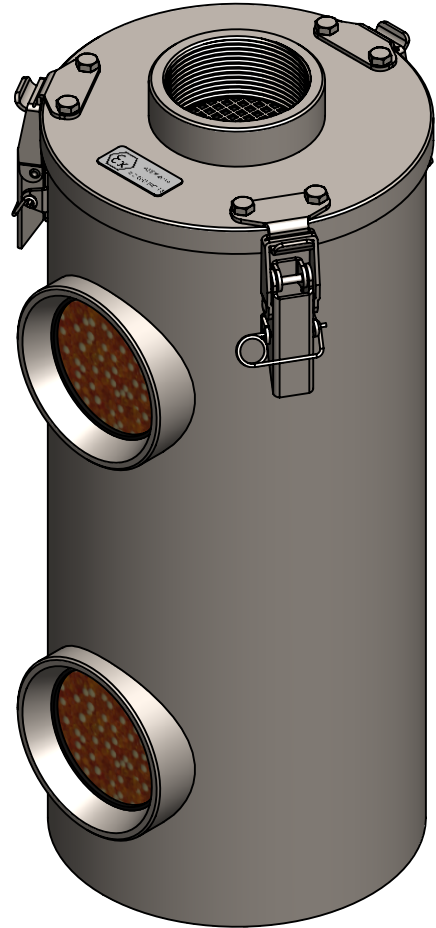
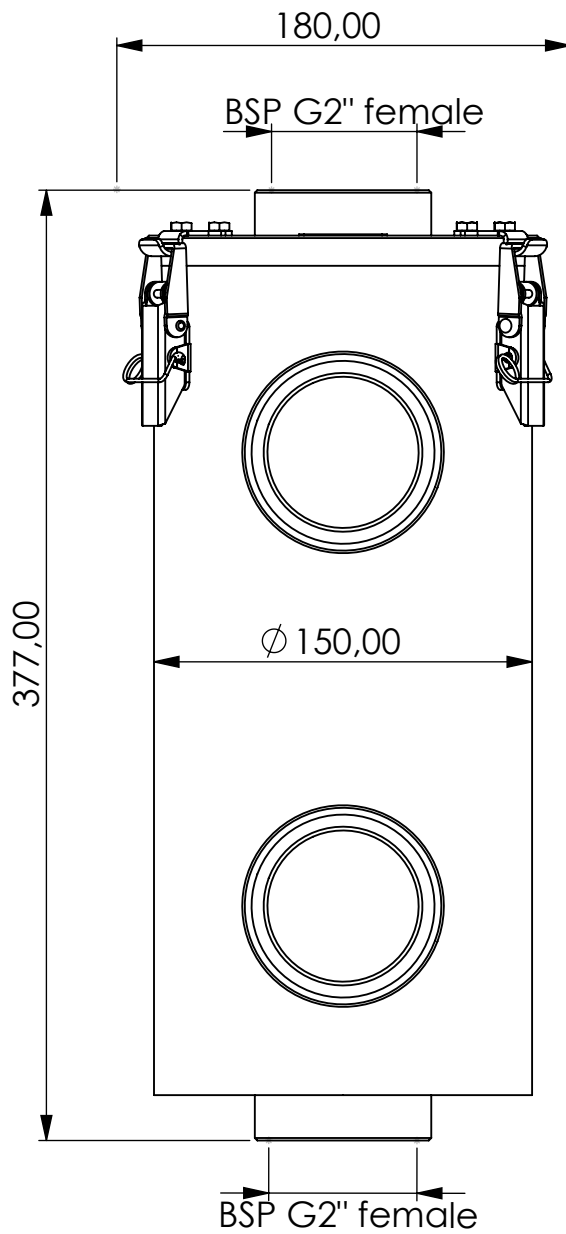


Adsorber VE-R series



Product Code	VE	-	R	-	5L	-	F	-	V2	-	X	-	G2f	-	G2f
	Adsorber type		Refillable cartridge		Size		FKM seals		Fleece filter 2 micron		Adsorbent GIEBEL Xdry®		Connection for System BSP G2" female		Connection for System BSP G2" female

Housing materials:	Stainless steel 316L	
GIEBEL Xdry® (kg):	4.1	Color-change capacity (ml): 1435
Total weight (kg):	9.9	

NAME:		
Adsorber VE-R 5L G2"f		
VE-R_5L_F_V2_X_G2f_G2f		
Article no.:	Status approved	Format A4
12.0001.50	Ratio 1:3	Sheet / of 1 / 1

 GIEBEL Adsorber® <small>...setting standards in aeration drying!</small>	rev.	Date	Name
		06.11.2024	Daniel Zinic
GIEBEL FilTec GmbH www.giebel-adsorber.com info@gf-dry.com			