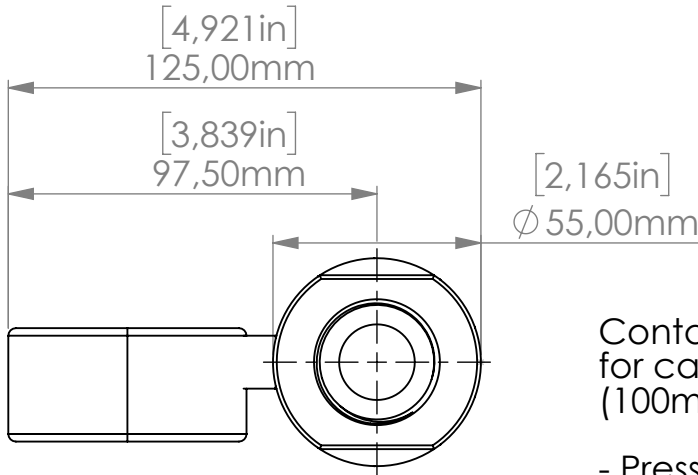
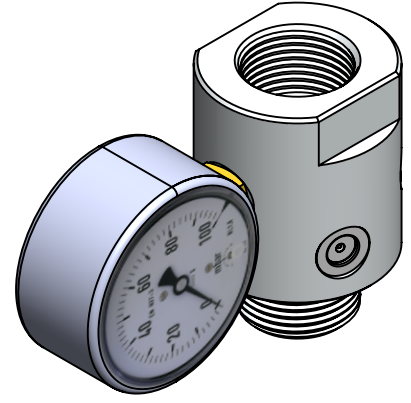


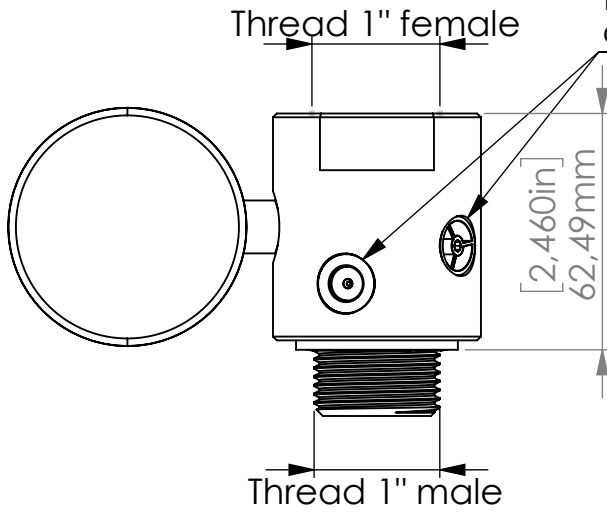
Protection Adapter



Contamination indicator for cases of blockage (100mbar / 1.45psi). Optically

- Pressure gauge (up to 100mbar / 1.45psi))

Additional check valves (2x IN / 2x OUT) for safety pressure release at 0,07bar / 1psi



Product Code	PRT	-	AD	-	SS	-	F	-	F0,1-ma_V0,07	-	1f	-	1m
	Protection Adapter		Adapter female-male		Material stainless steel		FKM seals		Manometer 0,1bar / 1.45psi + check valves 0,07bar / 1psi		Connection for Adsorber Thread 1" female		Connection for Adsorber Thread 1" male

Total weight (kg/lb): 0.40 / 0.88

NAME:

Protection Adapter

PRT-AD_AL_F_F0,1-ma_V0,07_1f_1m

Article no.:

08.2104.15

Status approved

Format A4

Ratio 1:2

Sheet / of 1 / 1



GIEBEL Adsorber®
...setting standards in aeration drying!

GIEBEL
www.giebel-adsorber.com
info@gf-dry.com