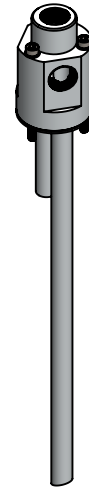
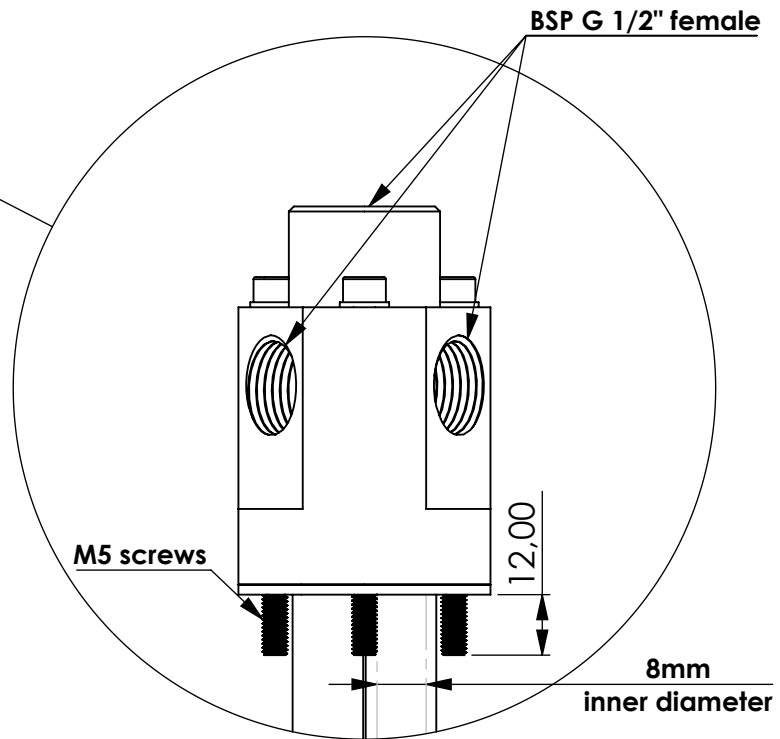
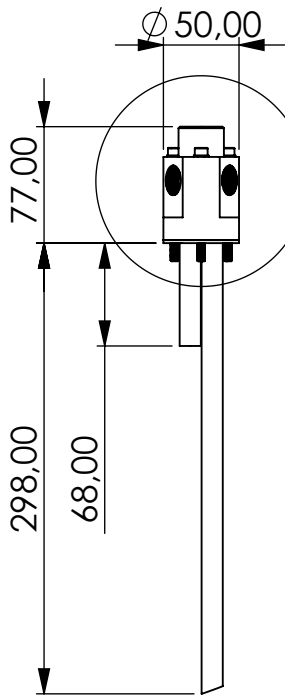
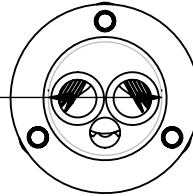


# Suction lance



( $\varnothing 30,00$ )  
stays within  
nominal diameter



**Suction rate (at 1.5m/s): 4L/min**  
**Filling rate (at 3m/s): 8L/min**

Product Code	<b>SAL</b>	-	<b>LK41</b>	-	<b>AL</b>	-	<b>F</b>	-	<b>2-G12f</b>	-	<b>G12f</b>
	Suction lance		Bolt circle 41mm		Material Aluminium		FKM seals		2x Connection for Bypass BSP G1/2" female		Connection for Adsorber BSP G1/2" female

Total weight (kg): 0.34

NAME:

**Suction lance**

**SAL-LK41\_AL\_F\_2-G12f\_G12f**

Article no.:

**08.2100.10**

Status approved

Ratio 1:5

Format A4

Sheet / of 1 / 1



**GIEBEL Adsorber®**  
...setting standards in aeration drying!

GIEBEL FilTec GmbH  
www.giebel-adsorber.com  
info@gf-dry.com