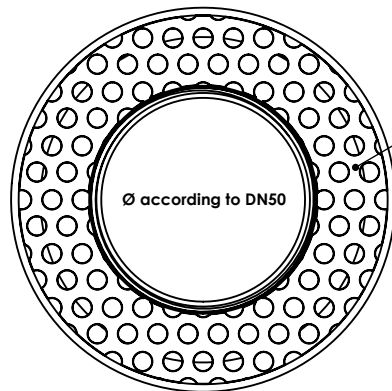
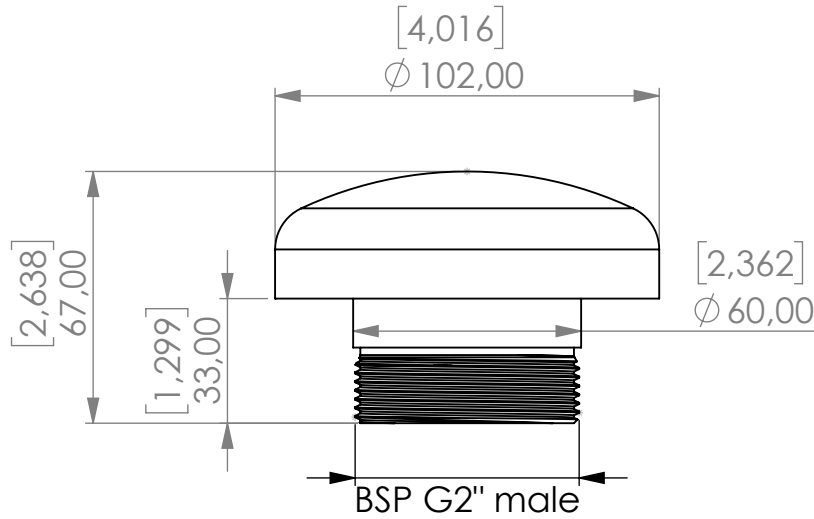
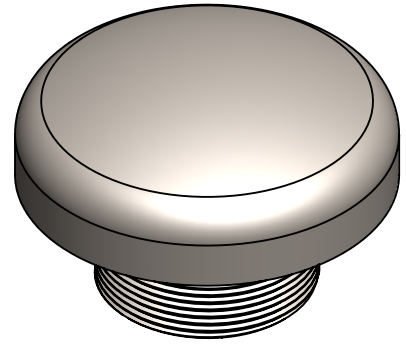


Ventilation Hood



Product Code	VH	-	SS	-	DN50	-	G2m
	Ventilation-hood		Material stainless steel 316L		According to DN50		Connection for Adsorber BSP G2" male

Total weight (kg/lb): 0.46 / 1.01

NAME:

Ventilation Hood

VH_SS_DN50_G2m

Article no.:

08.0010.03

Status approved

Format A4

Ratio

1:2

Sheet / of

1 / 1



GIEBEL
 www.giebel-adsorber.com
 info@gf-dry.com