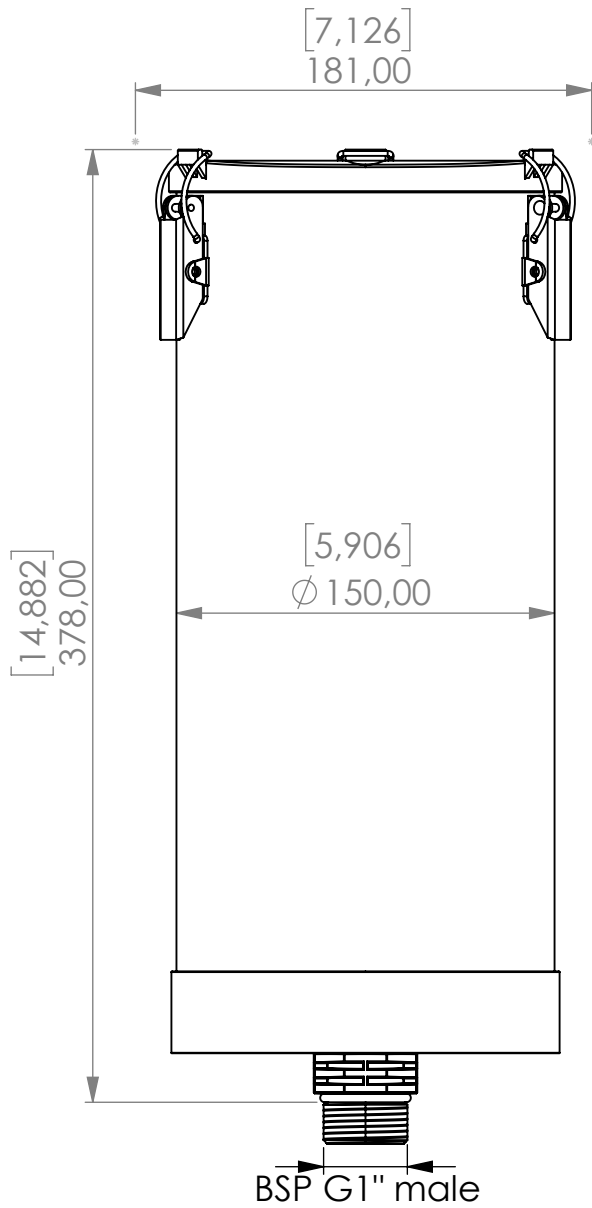


Adsorber VV-R series



Product Code	VV	-	R	-	5L	-	N	-	00	-	P3	-	XC	-	G1m
	Adsorber type		Refillable cartridge		Size		NBR seals		No valves 0 IN 0 OUT		Paper filter 3 micron		Adsorbent GIEBEL Xdry® & carbon		Connection for System BSP G1" male

Housing materials:	PA, PC, SS
GIEBEL Xdry® (kg/lb):	3,2 / 7.05
Color-change capacity (ml/floz):	1120 / 37.9
Total weight (kg/lb):	4.73 / 10.43

NAME:		
Adsorber VV-R 5L G1"m		
VV-R_5L_N_00_P3_XC_G1m		
Article no.:	Status	Format
05.0060.33	freigabe	A4
	Maßstab	Blatt / von
	1:3	1 / 1

 GIEBEL Adsorber® <small>...setting standards in aeration drying!</small>	Date	Name
	rev. 31.07.2025	Daniel Zinic
GIEBEL www.giebel-adsorber.com info@gf-dry.com		