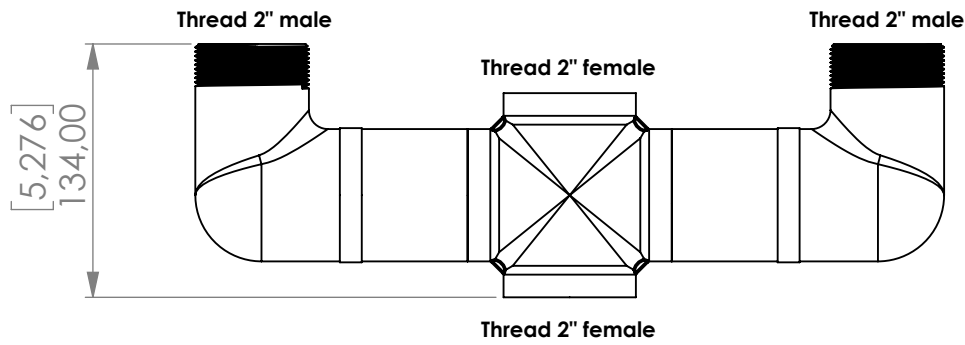
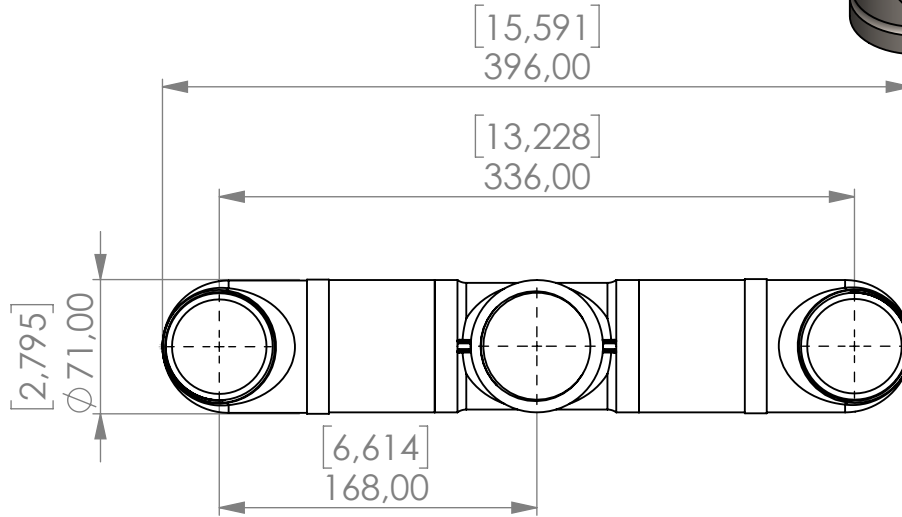
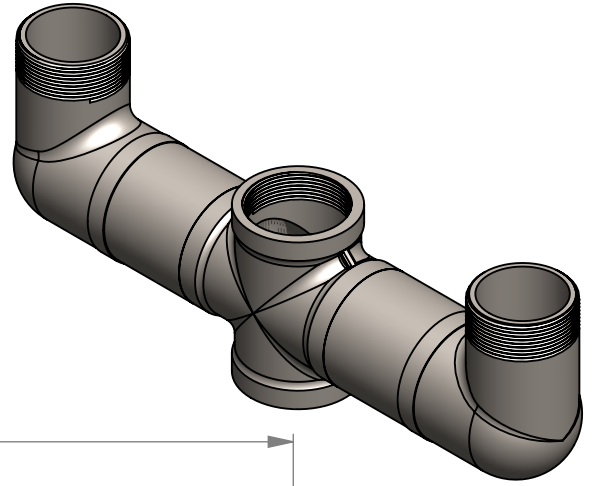


Mounting Adapter



Product Code	MOA	-	2V	-	SS	-	2m	-	2f
	Mount Adapter		For double adsorber / accessory installation		Material stainless steel		Connection for Adsorber / accessory Thread 2" male		Connection for system / accessory Thread 2" female



Can be used with Adsorbers and/or:
 08.0000.42 Ventilation System 1x-V G2"f
 08.2299.10 Plug-threaded_SS_G2m

Total weight (kg/lb): 1.874 / 4.13

NAME:

Mounting Adapter SS 2-V-2"m 2"f
 MOA-2V_SS_2m_2f

Article no.:
03.0001.08

Status approved

Format A4

Ratio 1:4

Sheet / of 1 / 1



GIEBEL Adsorber®
 ...setting standards in aeration drying!

GIEBEL
 www.giebel-adsorber.com
 info@gf-dry.com